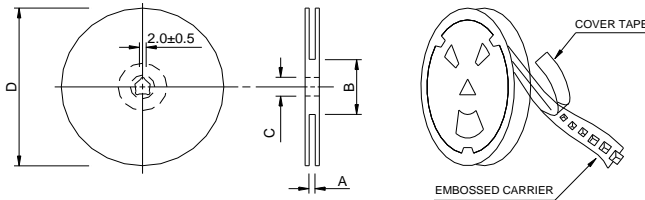


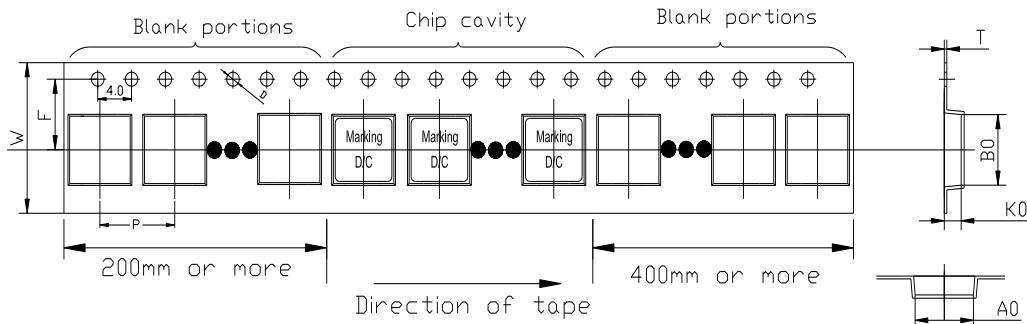
## Packaging Information

### (1) Reel Dimension



Type	A(mm)	B(mm)	C(mm)	D(mm)
13"x16mm	16.4+2/-0	100±2	13+0.5/-0.2	330

### (2) Tape Dimension

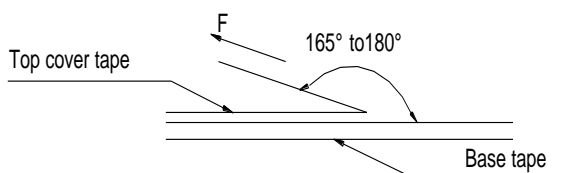


A0(mm)	B0(mm)	K0(mm)	P(mm)	W(mm)	F(mm)	T(mm)	D(mm)
6.4±0.1	6.1±0.1	5.3±0.1	8.0±0.1	16.0±0.3	7.5±0.1	0.35±0.05	1.5±0.1

### (3) Packaging Quantity

Size	Reel
JRPI 0505FL	1500

### (4) Tearing Off Force



The force for tearing off cover tape is 10 to 130 grams in the arrow direction under the following conditions (referenced ANSI/EIA-481-D-2008 of 4.11 standard)

Tearing Speed mm	Room Temp. (°C)	Room Humidity (%)	Room atm (hPa)
300±10%	5~35	45~85	860~1060